

# Captor™ Containment

DOUBLE WALL TANK SYSTEMS



[www.snydernet.com](http://www.snydernet.com)

# Captor Containment System

## Protects Bulk Storage Profits

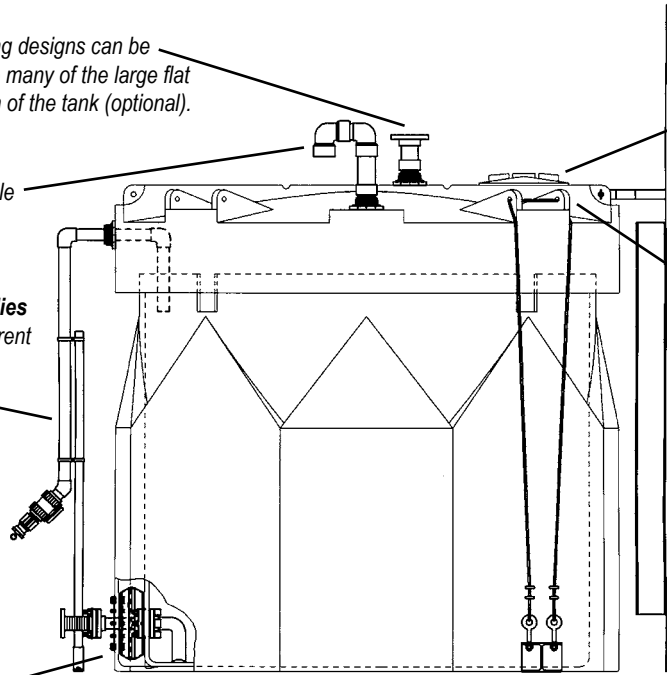
### Without Jeopardizing Safety or the Environment

**Flanged Outlets** and other fitting designs can be securely fastened and sealed to many of the large flat areas located on the top section of the tank (optional).

**U-Vent Assemblies** are available in a variety of sizes to relieve vacuum pressures.

**Fill and/or Draw Pipe Assemblies** can be installed to facilitate different material loading or un-loading requirements. (optional).

**U.F.O. (Unified Fitting Outlet)** is uniquely designed to mechanically seal fitting outlet through both the inner and outer tank walls. Material unloading is easier and more cost effective than pumping contents from the top of the tank (optional).



Patent No. 6,474,496

**Bolted and Threaded Manways** are available in sizes up to 24". Standard size is an 18" threaded manway.

**OSHA Approved Ladders** are available with and without cages in fiberglass and steel construction.

**Molded in Tie-Down Lugs** interface with optional cable restraint system to meet seismic and 150 mph wind load requirements.

**Outer Containment Tank** provides 115-120% of inner tanks capacity for added safety factor. Complies with 40 CFR-264.193.

**Double Wall Tank Construction** encloses and interlocks outer and inner tank to prevent rain, snow, and debris from entering outer containment tank.

## Double Wall Tank System

### Ideal for Mini-Bulk Chemical Delivery Programs

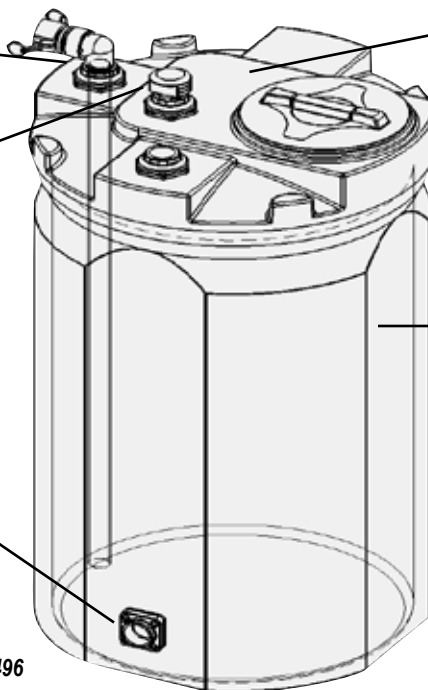
**Top Draw-Tube Assembly** enables material contents to be safely dispensed from the top of the tank. (optional)

**2" Vent** provides pressure vacuum relief for interior tank. (optional)

**Available in XLPE and HDLPE** resin packages.

**Transition Fitting** allows sidewall safe installation and long-term sealing power through both walls of tank. (optional)

**Forklift Channels** are available on 275, 360 and 500 gallon sizes.



Patent No. 6,474,496

**Flat Surface Areas** provides ample space on top for a variety of fitting sizes and styles.

**Two Tanks within one** design provide double-wall protection.

**Narrow Diameter** provides location versatility in that it can fit through most any doorway on sizes up to 150 gallons.

**Secondary Containment Tank** provides 120% of inner tank's capacity. Complies with 40 CFR-264.193.

All Other Snyder Industrial Product Fittings and accessories are available wherever applicable.

# Captor Options/Accessories



**Leak Detection Sensor**  
Capacitive proximity sensor detects and communicates the smallest of leaks with an easy to understand warning signal.



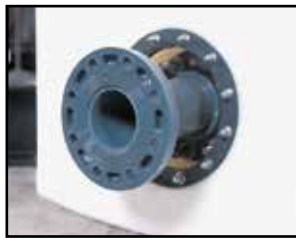
**Level Indicator**  
Ultrasonic level indicator with digital display measures the inner tank's slightest liquid level changes.



Modified to accommodate double wall construction and take advantage of our outer containment capability.



**Other Options**  
Bolted and sealed manways, heat trace and insulation, and most other Snyder tank fittings and accessories.



**Transition Fitting**  
U.F.O. (Unified Fitting Outlet) design allows side wall fittings to be installed and safely sealed through both walls of the Captor Containment System.



**Seismic Restraints and Ladders**  
Molded-in tie-down lugs and cable tie-down system meet seismic and 150 mph wind load requirements. OSHA-approved ladders are also available.

## Tank Material Options

High Density linear polyethylene (HDPE) or cross-linked polyethylene (XLPE).

# SPECIFICATIONS

Captor Containment System			
Part No.	Gallons	Diameter	Height
50400/50300	550	76"	65"
54700/54500	1,100	76"	104"
54900/54600	1,550	76"	136"
55700/55000	2,000	102"	103"
55800/55100	2,500	102"	122"
55900/55200	3,000	102"	142"
56000/55300	3,500	102"	158"
56100/55400	4,000	102"	178"
56200/55500	4,500	102"	197"
56300/55600	5,000	102"	216"
56600/56400	5,500	120"	172"
56700/56500	6,500	120"	199"
10064/10065	8,700	142"	197"
10066/10067	10,000	142"	226"
10311/10312	12,500	142"	274"



All Snyder specific gravity ratings meet or exceed ASTM D-1998. Consult your Snyder representatives on material construction recommendations for your company's particular application.

# Mini-Captor Options/Accessories



**Leak Detection Sensor**  
Capacitive proximity sensor detects and communicates the smallest of leaks with an easy to understand warning signal.



**Forklift and Pallet Jack Accessible Design**  
Larger 275, 360 and 500 gallon sizes are equipped with forklift channels designed to help move the containers when full and empty.



**Transition Fitting**  
Allows safe sidewall installation and long-term sealing power through both walls of tank.



**Level Gauge**  
Mechanical swing-arm type level gauge for visual level monitoring. All plastic with PVC bushing Kynar® rods and HDPE float.



**Stands**  
Mini-Captor tank systems (35-275 gals.) can be mounted on elevation stands, creating more room for plumbing and other system requirements without utilizing additional floor space. *Patent No. 7,059,575*



**Other Fittings and Accessories**  
All applicable Snyder Industries fittings and accessories can be integrated to complete tank system.

**Tank Material Options**  
High-density linear polyethylene (HDLPE) or cross-linked polyethylene (XLPE).

## SPECIFICATIONS

Mini-Captor Tank Systems				
Part No.	Gallons	Diameter	Height	Lid
10F0002N--	15	23"	23"	8"
10F0202N--	30	23"	35"	8"
1000112N--	35	22"	36"	6"
1010402N--	55	28"	36"	8"
5680002N--	60	26"	41"	14"
1010602N--	100	33"	44"	8"
5700102N--	120	34"	51"	14"
1010802N--	140	32X32"	48"	8"
5710102N--	150	34"	62"	14"
5740102N--	275	47"	63"	18"
5760102N--	360	53"	63"	18"
5780102N--	500	53"	81"	18"



# Double Strength Protection

## Protect Your Liquid Assets!

Regulation is becoming increasingly stringent in the formulation and enforcement of chemical containment legislation. Berm and tank-in-a-basin containment systems, thought to be modern, are now found to be inadequate and not compliant.

There is an answer. Snyder's polyethylene tanks with secondary containment systems can safely store a wide range of hazardous chemicals. Our double wall (tank-in-a-tank) designs are being increasingly utilized as a supplement or alternative to secondary containment requirements. The design features built into Snyder's Captor and Mini-Captor Tank Systems increase safety and protect the environment without jeopardizing your profits.



### ***Consider the Benefits...***

- Tank-in-a-tank design provides TOTAL containment protection in one space-saving unit.
- The system consists of a primary tank with a secondary outer containment tank with a capacity of 115%-120% of the inner tank's capacity, exceeding EPA standards.
- Double-wall construction is completely enclosed so that external matter such as rainwater, snow and debris is prevented from collecting in the outer containment tank making it ideal for outdoor chemical storage.
- Shipped fully-assembled on either a standard or wide-load flatbed trailer which reduces field assembly costs.
- Available in sizes ranging from 35 to 12,500 gallons.
- Available in High Density Linear Polyethylene (HDLPE) or Cross Link Polyethylene (XLPE) construction. Having a choice provides ultimate chemical compatibility and performance.
- Tanks designed with wall thickness equal to or greater than ASTM D-1998 standards.

### ***Your Snyder Double Wall Tank can be customized with these options...***

- Seismic restraint system (for 35-12,500 gallon sizes).
- 150 MPH wind load restraint system (for 35-12,500 gallon sizes).
- Ultrasonic level indicators.
- Leak detection sensors.
- Heat tracing and insulation.
- OSHA compliant ladders (for 550-12,500 gallon sizes).
- Variety of manway sizes and styles.
- Bottom sidewall outlets.
- Top inlet connections and vents.

# SOLUTIONS IN BULK HANDLING



Transportation containers hold from 60 to 550 gallons.

## UN/DOT APPROVED IBCS

Snyder intermediate bulk containers (IBCs) are durable, corrosion-resistant and economical. These long-term, reusable containers are ideal for the transportation of both hazardous and non-hazardous liquid materials.



Stationary tanks store from 8 to 16,500 gallons.

## BULK STORAGE & PROCESSING TANKS

For larger stationary applications, Snyder offers the industry's broadest range of tanks – from 8 to 16,500 gallons – in shapes that meet your specific needs. To match your special function requirements, we also market a complete line of accessories, such as stands, seismic tie-downs, ladders, fittings, gaskets, sight gauges, heat tracing and insulation.



Mini-bulk containers with containment.

## MINI-BULK/CHEMICAL FEED STATIONS

Long lasting, corrosion-resistant tank and containment systems that provide the perfect solution for mini-bulk delivery programs. Complete and ready to use Chemical Feed Stations allow you to handle small amounts of liquids and other chemicals in a safer and more efficient manner than drums. The Chemical Feed Stations can be located close to your customer's use point, thereby eliminating the need for them to move and handle heavy drums and tote bins of hazardous materials, while at the same time eliminating the handling costs and inconvenient disposal of drums and one-way tote bins.

## ONE SOURCE DOES IT ALL

Whether you are a manufacturer or distributor, Snyder Industries can help you improve the function, economics and performance of your company's bulk handling systems.



SOLUTIONS IN BULK HANDLING

P.O. Box 4583 • Lincoln, Nebraska 68504 • 402-467-5221 • FAX: 402-465-1220 • [www.snydernet.com](http://www.snydernet.com) • email: [sales@snydernet.com](mailto:sales@snydernet.com)

Other manufacturing facilities: Marked Tree, Arkansas • Chowchilla, California • Philippi, West Virginia • Mancelona, Michigan

[www.snydernet.com](http://www.snydernet.com)