



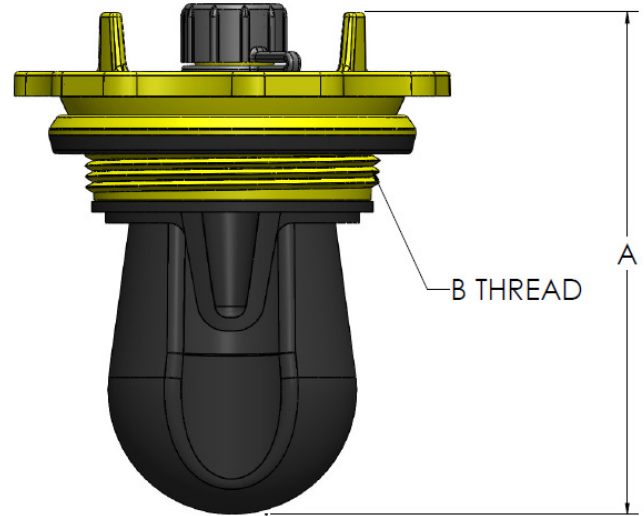
4700 W. 160th St.  
Cleveland, OH 44135  
PH:800-321-9532  
FX:800-321-9535  
www.oatey.com

**TECHNICAL SPECIFICATION**

**Clean-Seal 2**



**TECHNICAL SPECIFICATION:** Designed to thread into test tee during plumbing system test. Patent Pending fill port allows test fluid to be pumped in from the test tee, avoiding the need to fill from above. Seals both cast iron and plastic test tees. Bladder is made from long lasting natural rubber. Fill medium can be either water or air.



**PHYSICAL/CHEMICAL PROPERTIES**

Body Material Polypropylene/Nylon  
Bladder/Seal Material Natural Rubber  
Threaded Components Brass

**COMMON APPLICATIONS**

Oatey Clean Seal 2 pneumatic test plug is designed to handle standard DWV test pressures and at the same time keep the user and job site clean and dry when using water as the test media. It can be used in plastic and cast iron pipe test tees.. The threaded portion engages the test tee and the sealing ring seals the tee from leaking. Align the body with the test direction and inflate the bladder using the provided inflation valve.

Always read the safety and installation instructions before using this product.

✓	PRODUCT NUMBER	DESCRIPTION	Dimensions		PACK
			A	B	
	271828	2" Clean-Seal 2	5.63	2" NPT	12
	271838	3" Clean-Seal 2	6.0	3" NPT	6
	271848	4" Clean-Seal 2	7.1	4" NPT	6