

WC Series Wafer Check Valves

2" TO 20" PVC, PP AND PVDF

KEY FEATURES

- PVC, PP and PVDF
- FPM, EPDM and PTFE O-Ring Seats
- Compact and Lightweight
- Easy Installation
- Vertical or Horizontal Operation

OPTIONS

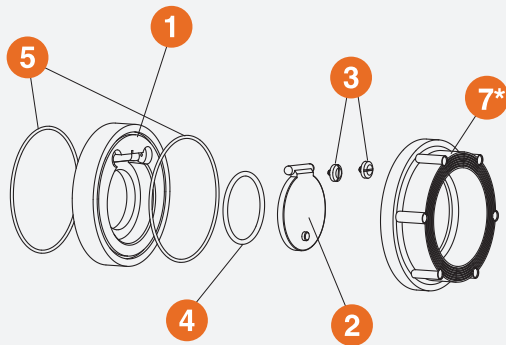
- Spacers
- Stainless Steel or Hastelloy® Disc Springs*



* Valve shown with spring option

TECHNICAL INFORMATION

EXPLODED VIEW



* Spacer (optional)

SELECTION CHART

SIZE	MATERIAL	END CONNECTION	O-RING	SPRING	PRESSURE RATING
2" – 6" * (DN50 – DN150)	PVC, PP or PVDF	Flanged	FPM, EPDM or PTFE***	316 SS, Hastelloy	150 PSI @ 70°F Non-Shock
8" * (DN200)					100 PSI @ 70°F Non-Shock
10" – 12" (DN250 – DN300)					90 PSI @ 70°F Non-Shock
14" – 20" ** (DN350 – DN500)					Consult with Factory

* Spacers standard for PVC, PP up to 8"

** Up to 40" special order

*** PTFE encapsulated FPM

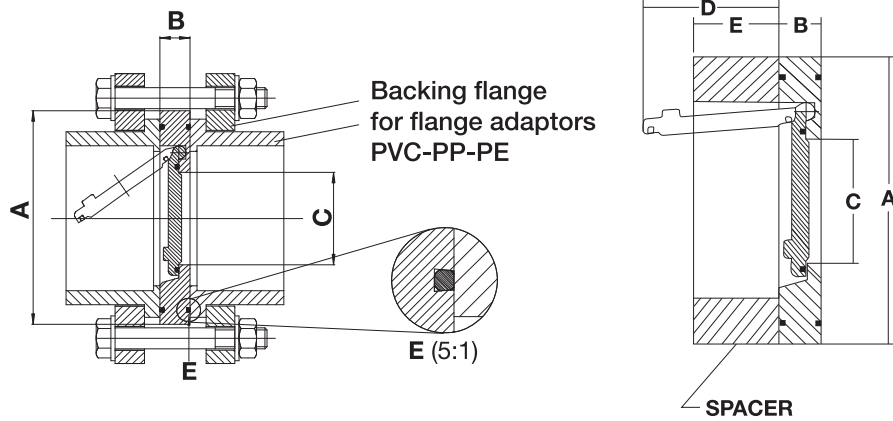
WC Series Wafer Check Valves

2" TO 20" PVC, PP AND PVDF

TECHNICAL INFORMATION, CONTINUED

PARTS LIST

1. Body
2. Valve Flapper
3. Mounting Screw
4. Seat O-Ring
5. Body O-Ring
6. Support Ring
7. Spring (Optional)



DIMENSIONS – INCHES / MILLIMETERS

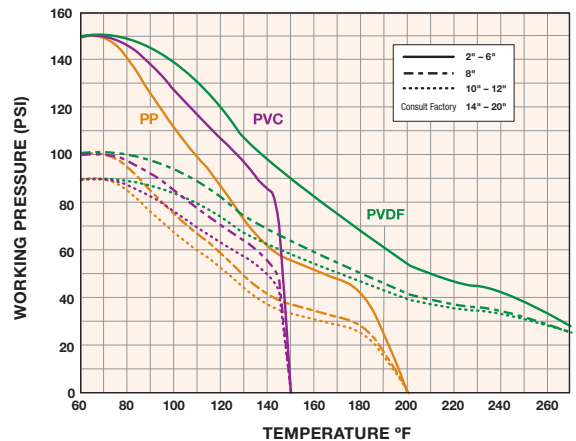
SIZE in / DN	A in / mm	B in / mm	C in / mm	D (WITH SPRING) in / mm	E in / mm
2 / 50	4.30 / 109	.80 / 20	1.30 / 33	1.80 / 46	1.00 / 25
2-1/2 / 63	4.90 / 124	.80 / 20	1.60 / 41	2.00 / 51	1.50 / 38
3 / 80	5.40 / 137	.80 / 20	2.00 / 51	2.90 / 74	1.60 / 41
4 / 100	6.50 / 165	.90 / 23	2.80 / 71	3.60 / 91	2.00 / 51
6 / 150	8.70 / 221	1.00 / 25	4.40 / 112	5.80 / 147	2.00 / 51
8 / 200	10.80 / 274	1.40 / 36	5.90 / 150	7.50 / 191	3.50 / 89
10 / 250	13.00 / 330	1.60 / 41	7.50 / 191	9.00 / 229	4.00 / 102
12 / 300	15.00 / 381	1.80 / 46	8.94 / 227	10.20 / 259	5.90 / 150

Dimensions are subject to change without notice – consult factory for installation information

Cv VALUES

SIZE in / DN	SCH 40 W/O SPACER	SCH 80 W/ SPACER	PRESSURE LOSS CALCULATION FORMULA
2 / 50	58	74	$\Delta P = \left[\frac{Q}{C_v} \right]^2$ $\Delta P = \text{Pressure Drop}$ $Q = \text{Flow in GPM}$ $C_v = \text{Flow Coefficient}$
2-1/2 / 63	77	108	
3 / 80	105	203	
4 / 100	224	300	
6 / 150	718	949	
8 / 200	980	1175	
10 / 250	1880	2050	
12 / 300	2520	2940	

OPERATING TEMPERATURE / PRESSURE



Hayward is a registered trademark of Hayward Industries, Inc. © 2011 Hayward Industries, Inc.

– Hastelloy is a registered trademark of Haynes International Inc.

Contact Hayward Flow Control with questions: 1-888-429-4635 • Fax: 1-888-778-8410 • One Hayward Industrial Drive • Clemmons, NC 27012 • USA
Visit us at: www.haywardflowcontrol.com • E-mail: hflow@haywardnet.com