

## TFD SERIES

### PADDLEWHEEL FLOW METER & TOTALIZER WITH ALERT ALARM

#### KEY FEATURES & BENEFITS

- Corrosion Resistant All Thermoplastic Wetted Parts - PVDF Body - Zirconium Dioxide Ceramic Shaft - PFA PTFE Paddle
- Large Digital Display Changes from Green to Red When in Alarm State
- Accuracy  $\pm 0.75\%$  of Full Scale
- For Pipe Sizes 1/2 - 24 Inches
- Flow Rate + Totalizer (Resettable - Insight on Volume Till Change-Out)
- Flow Velocity Range 0.33 to 32.8 ft/s (0.1 to 8 m/s)\*
- Eprom Memory - Totalizer Value will not be lost
- NEMA 4X (IP66) Protection
- Bright LED Display Flow Units--Liter, USGPM
- Dual Output Relays
- 4-20 mA Output Standard
- Simple Installation

#### SPECIFICATIONS

Supply Voltage	DC 14 to 28V	Turndown	100:1
Measuring Accuracy	$\pm 0.75\%$ Full Scale	RS-485 Protocol	Modbus RTU Mode
Repeatability	$\pm 0.5\%$ Full Scale	Output Frequency	60.5Hz m/s Nominal (18.45Hz ft/s nominal) (Max. 10Hz (totalizer last digit))
Pipe Size	1/2" to 4"/DN15 to DN100 (-0) 6" to 24"/DN150 to DN600 (-1)	Pulse Output Type	Transistor NPN Open-Collector (Max. DC60V/100mA)
Input Sampling (Output Responses) Time	6 Cycles/Sec.	LED Display	Bright Red or Green LED (0.4" High)
Readout Range	0-99999 (Flow Rate) 0-99999999 (Totalizer)	Parameter Setting	Push Button
Relay Output	Adjustable Set Points	Memory Mode	Non-Volatile Eprom Memory
Relay Contact Output	DC 3-V-3 Amp	Measuring Viscosity Range	0.5 to 20 centistokes (cst)
Analog Output	4-20 mA	Maximum Operating Pressure/Temperature	PVDF Body 200 psi @ -22°F (-30°C) to 86°F (30°C) / 36 psi @ 194°F (90°C)
Output Drive	<10mA <10V	Storage Temperature	-22°F to 176°F-22°F (-30°C to 80°C) (20 to 90RH Non-Condensed)
Protection Class	IP66/NEMA 4X	Certification	EN 55022:1998/A1:2000 Class A
RS-485 Baud Rate	19200/9600/4800/2400 (selective)		

\* Max. recommended velocity for plastic pipe is 8 ft/s

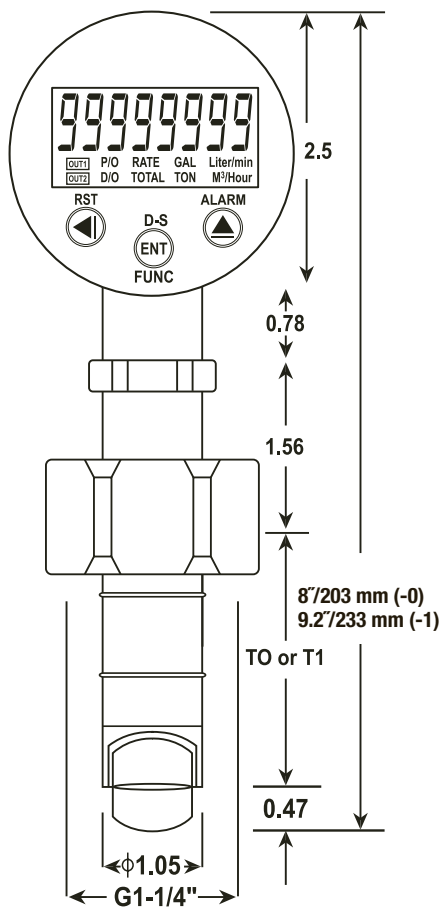
# TFD Series

## PADDLEWHEEL FLOW METER & TOTALIZER WITH VISUAL ALERT ALARM

### MATERIALS

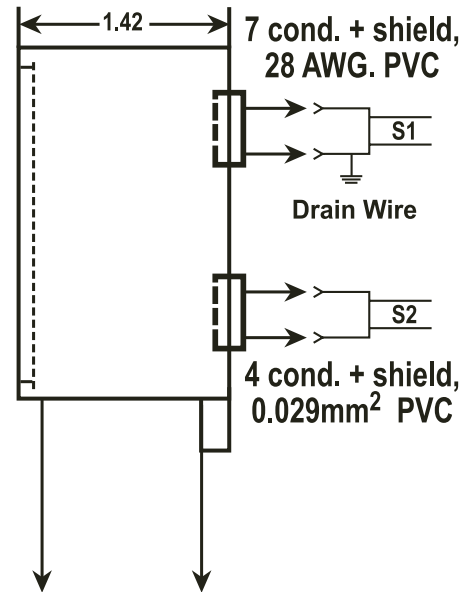
Sensor Body Material	Natural PVDF
Rotor Material	PFA PTFE
Shaft and Bearing Material	Zirconium Dioxide Ceramic (ZrO <sub>2</sub> )
O-rings Material	FKM
Display Housing Materials	Polyamide 66 + PBT + 15% Glass Filled (UL94V-0)

### DIMENSIONS (UNIT : INCH)

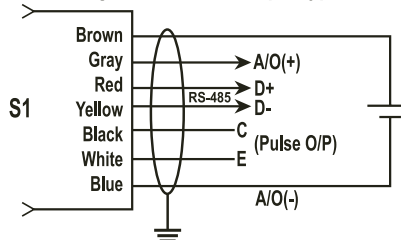


Sensor Length (-0) = 2.70" / 68.5 mm  
 Sensor Length (-1) = 3.88" / 98.5 mm

### TERMINAL CONNECTIONS

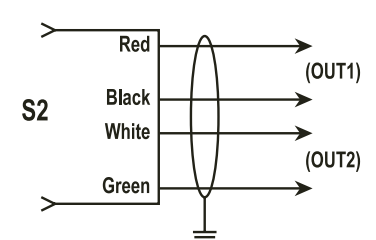


#### • Analog/RS-485/Pulse output type



• Power = DC14~28V

#### • Relay output type



Hayward is a registered trademark of Hayward Industries, Inc. © 2015 Hayward Industries, Inc.

Contact Hayward Flow Control with questions:

USA: 1.888.429.4635 • Fax: 1.888.778.8410 • One Hayward Industrial Drive • Clemmons, NC 27012 • Email: hflow@haywardnet.com  
 Canada: 1.888.238.7665 • Fax: 1.905.829.3636 • 2880 Plymouth Drive • Oakville, ON L6H 5R4 • Email: hflowcanada@haywardnet.com  
 Visit us at: haywardflowcontrol.com